

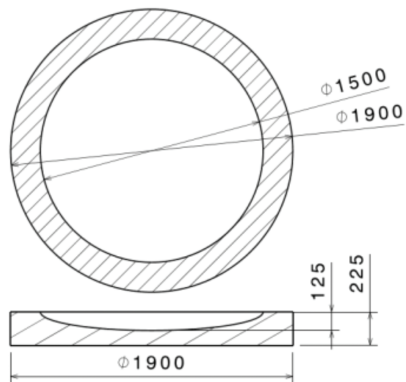
Playground Trampoline (Round)

Product code PT.01

PLAYEQUIP



More sizes available.



Our mini playground trampoline is a really fun way to exercise and have a great time at the same time. It's highly durable components make it a fantastic feature to any playground, school or garden. Designed to be flush with ground level, the trampoline fits discreetly into any environment until discovered.

Outdoor In-Ground Playground Trampoline Features

- Variation of sizes of jumping surface to suit your space
- EN-1176 Safety Standard
- Durable for public space use
- Lifiable top to allow cleaning

Dimensions LxWxH (m)

Jumping area from $\text{Ø}1.2\text{m}$
External from $\text{Ø}1.7\text{m}$

CFH - 1.2

Safety Surface Area - from
22sqm